

LED Top Plant Grow Light

Model: SL1

Registered	Checked	Approved

Customer Approved		
Dept.	Signature	Date
QA Dept		
R&D Dept		
Approved		

Sunnypower New Energy Co.,Ltd.

ADD: 4 Building, Caifa Industrial Zone, 181# Renmin Road , Fucheng Town, Longhua District, Shenzhen, China

TEL: 0755-23000849

FAX: 0755-29378633

E-mail: info@muizlux.com

<http://www.muizlux.com>



History of specification

Date	Contents	Remarks
2020-09-12	First issue	A
2021-09-12	Second issue	B

1. Introduction

Muizlux SL1 Led top lighting featuring multiple spectra and high efficacies, It is Sunnypower's newest generation top lighting solution for greenhouse supplemental lighting and indoor sole-source grow light.



Convenient installation

Whether you are equipping a new greenhouse with LED lighting or retrofitting an existing greenhouse, Muizlux LED top lighting is designed for a perfect fit and easy installation. Can be easily mounted on a profile which allows you to position the lighting exactly where you need it. Simply click the modules into each other with or without spaces between them, to get the right set-up for your crops.

Uniform crops

The advanced LED technology in Muizlux LED top lighting delivers excellent light uniformity over your crop. This ensures uniform growth for every plant in your greenhouse to help you realize a higher return on each crop.

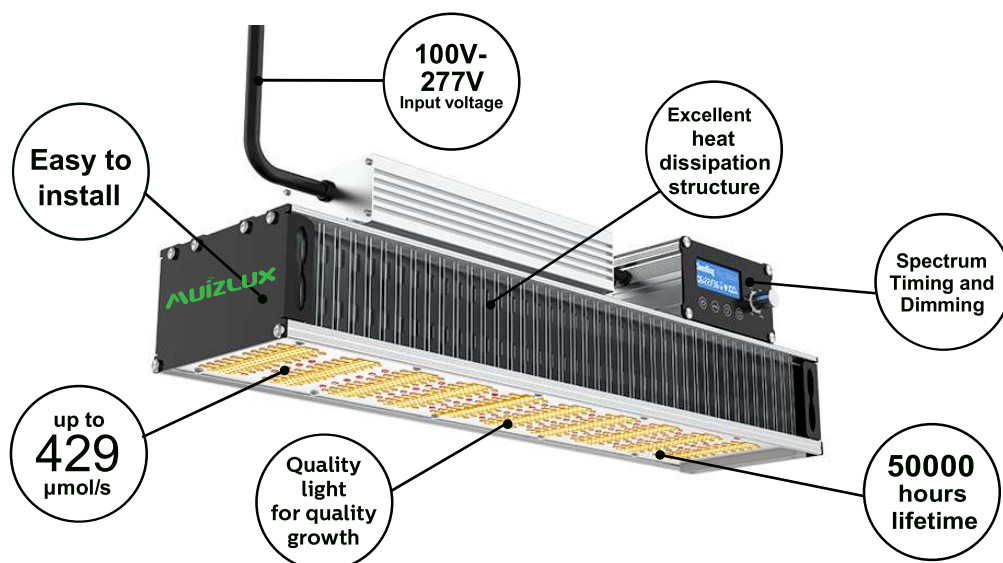
Efficient output

Muizlux LED top lighting offers light output levels at a very high efficacy of up to 2.86 $\mu\text{mol}/\text{Joule}$. That makes it a highly efficient replacement and energy-efficient supplement for traditional lighting systems.

Reliable, low-maintenance design

Muizlux LED top lighting uses passive cooling without moving parts, so it performs robustly and reliably and is easy to install. It is designed to dissipate heat efficiently, which greatly extends its lifetime.

2. Overview



3. Specification

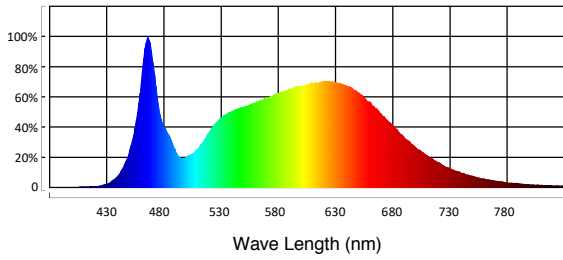
Model Name	SL1
Light Source	LED
Spectrum	Seedling, VEG, BLOOM
Light Output PPF	429µmol/s
Efficacy	2.86µmol/J
Input Power	150W±5%@277V AC
Input Voltage	100-277V AC, 520/90Hz
Mounting Height	≥18"(45.7cm) above Canopy
Light Distribution	120°
Thermal Management	Passive
Dimming	5-100%
Timing	1-23 hr
Power Factor	>98%
Total Harmonic Distortion	< 10%
Waterproof	IP54(Indoor Using)
Max. Ambient Temperature	95°F/ 35°C
Lifetime	50000 Hours
HPS/MH Replace	250W
Light Size	402 × 95 × 143mm
Certificates	ETL/DLD/CE/ROHS
Warranty	5years
Customization	Professional OEM/ODM service available
Accessories	Full range of accessories available for easy and quick installation

❖ Lifetime and maintenance values are given at an ambient temperature of 25 °C / 77 °F.

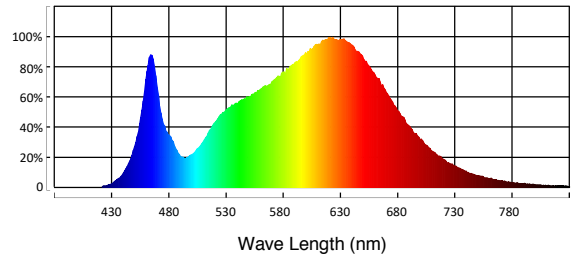
4. Spectra

Muizlux plant grow Lighting offers a complete custom light recipes solution designed to move your greenhouse business forward. Muizlux is now offering Seedling 、 VEG and Bloom spectrum options on SL Series, better meeting grower's needs in optimizing spectral content and light levels for any crop at any growth stage and geographic locations.

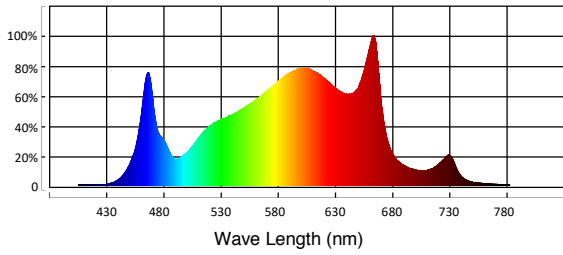
Seedling Spectrum



Veg Spectrum

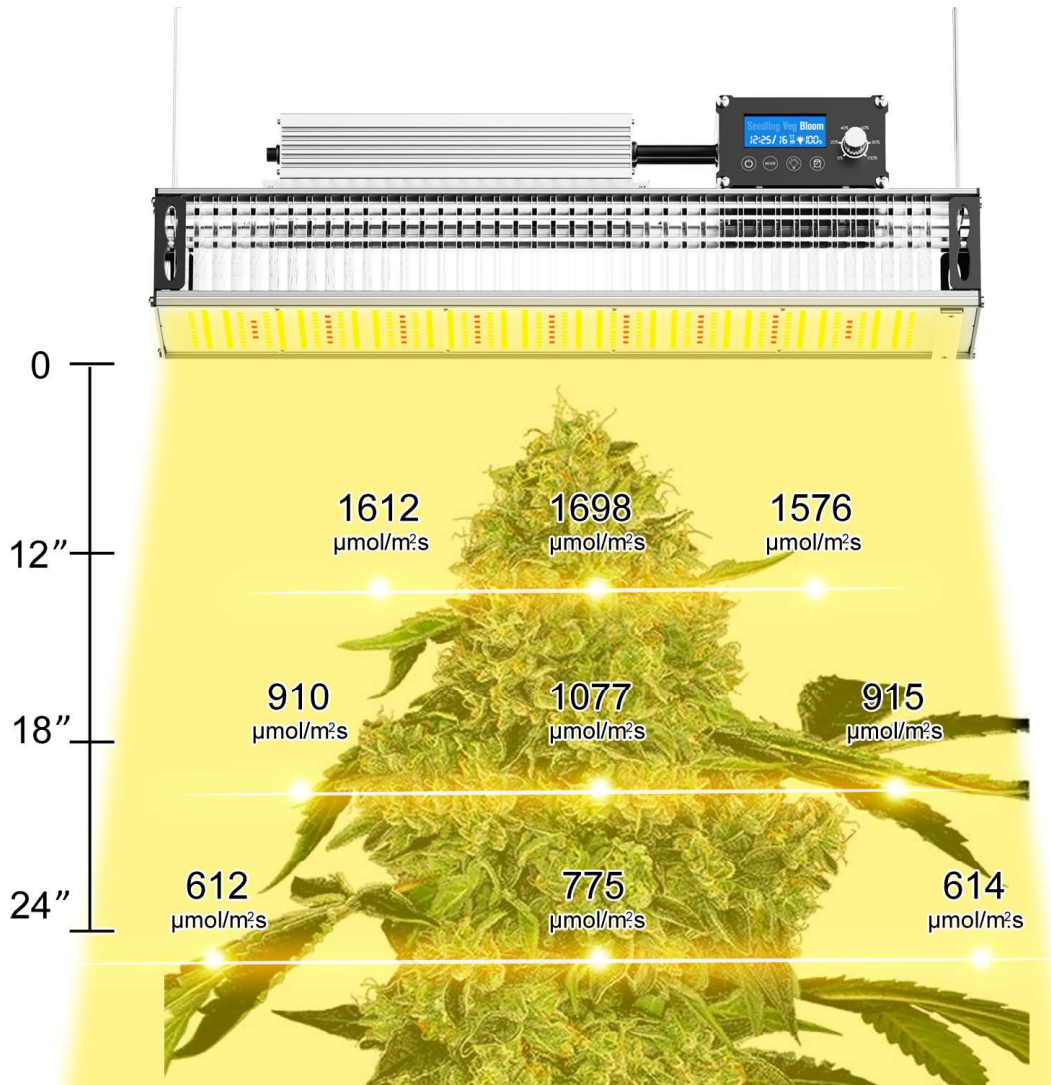


Bloom Spectrum



Muizlux Spectra offers continuous spectral photon emission across the PAR 400-700nm wavelength range, balancing energy efficiency with quality of light for desired plant response and human work environment.

❖ According to customer requirements, we can customize the spectrum for different plant growth needs.



5. Control Mode

MUIZLUX led grow lights can adjust the spectrum brightness and timing to meet the needs of all grow lights can adjust the spectrum to meet the needed of all.



- ◆ Spectra:Seedling,Veg,Bloom;
- ◆ Dimming:5-100% Adjustable;
- ◆ Dimming:1-23 Hours Adjustable.

6. Features:

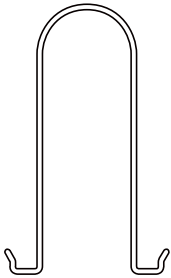
Muizlux LED top lighting opens up new opportunities for every greenhouse greenhouse grower to increase their quality and yields and move to year-round production. LED top lighting offers light output levels typically ranging at a very high efficacy reaching 2.86 $\mu\text{mol} / \text{J}$. It offers growers unique advantages as a direct replacement for traditional lighting systems or as an energy-efficient supplement.



- ◆ Excellent light uniformity to ensure uniform grow;
- ◆ Shorten growth cycles;
- ◆ Improve color, shape and taste;
- ◆ Low maintenance costs;
- ◆ 50% energy reduction compared to HPS;
- ◆ Custom light recipe to fit your crop and situation;
- ◆ Grow with more control over your climate;
- ◆ Year-round growing.

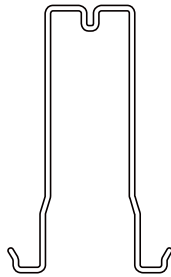
7. Mounting:

MOUNTING HARDWARE



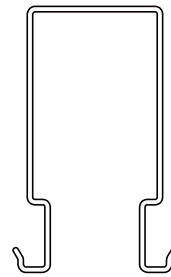
PIPE BRACKETS

Ideal for pipes up to 1 3/8" in diameter



UNISTRUT BRACKETS

Ideal for standard 1 5/8" wide Unistrut or U-Channel



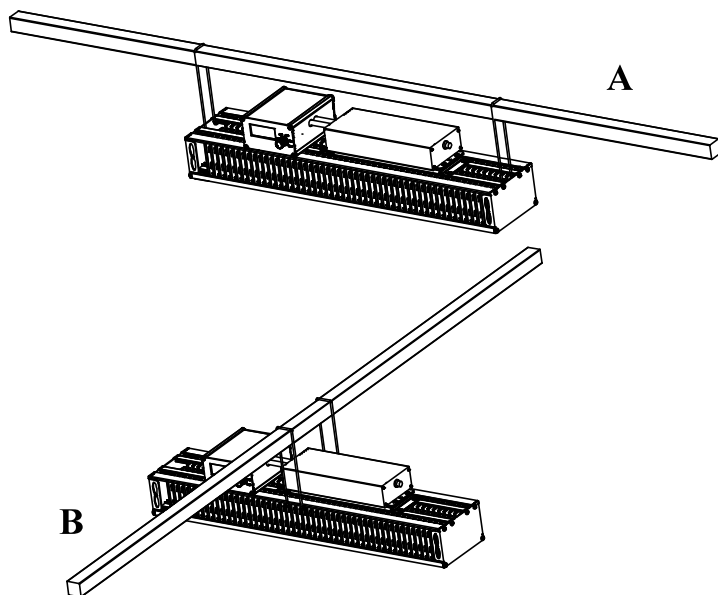
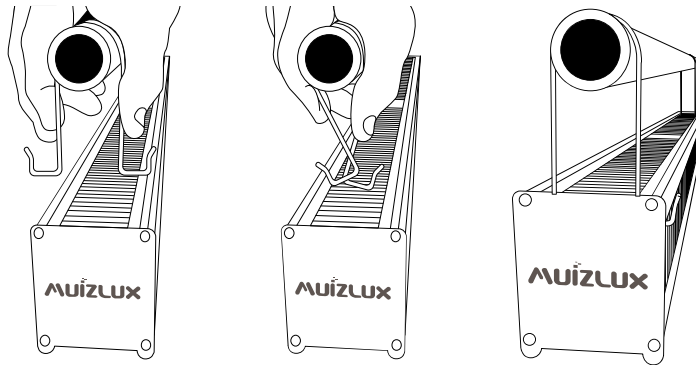
SQUARE BRACKETS

Ideal for all structural channel up to 2 3/4" wide

- ❖ To install your SL1 fixture, start by identifying a suitable bracket appropriate to your support structure.

MOUNTING THE LIGHT FIXTURE

- 1 Take 2 mounting brackets in the box. Hang a bracket over the support structure and hold up the SL1 fixture under it.
- 2 While maintaining a firm grip on both, pinch the bottom of the bracket inward and insert it into the top of SL1 heatsink between the fins, release the tension of the bracket.
- 3 When installed properly, the bracket should hook into both sides of the SL1 heatsink frame to provide a level and secure mount.
- 4 Repeat steps 1-3 on the other side of the fixture. The two brackets to finish mounting your SL1, should be centered to the fixture and widely spaced out, with 3"-8" to the fixture edge.



8. Application:

The unique capabilities of the Muizlux LED top lighting bring benefits to growers in many different segments:

- ◆ High wire vegetables: tomatoes, cucumbers and peppers;
- ◆ Leafy greens and herbs: lettuce and basil;
- ◆ Soft fruits: strawberries;
- ◆ Floriculture: cut flowers, potted plants, bedding plants, annuals and perennials;
- ◆ Propagation for floriculture and vegetables;
- ◆ Economic plant: Hemp Plantation.

9. Cautions:

- ◆ Keep it away from rain, snow, fire and any bad environment;
- ◆ Do not immerse it in water;
- ◆ Do not touch the Led light body surface when the power is on;
- ◆ Keep it in a safe place after using and do not put heavy things on it;
- ◆ Do not allow children to touch the lamp head in case of burning when power on.

10. Note:

Any other items which are not covered in this specification shall be agreed upon by both parties.